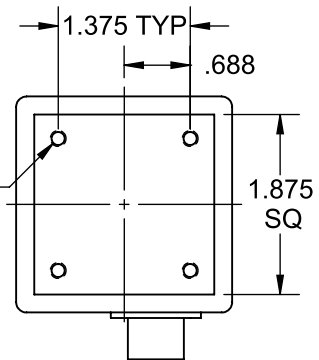
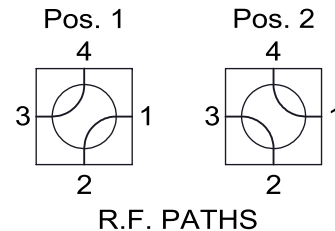
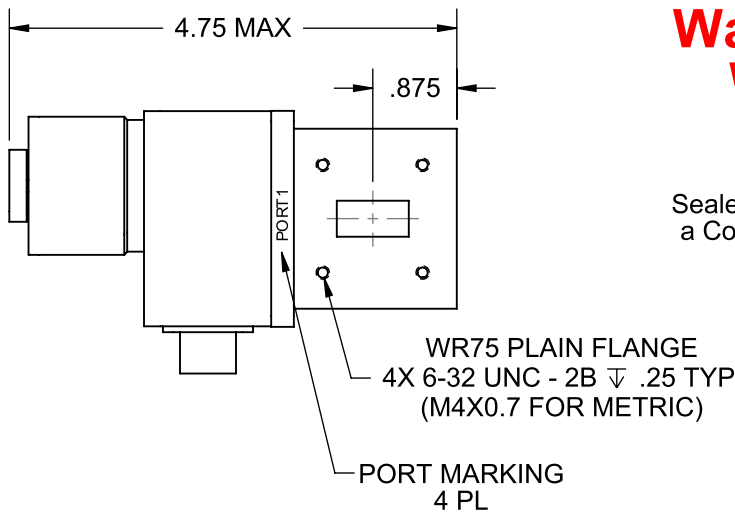


4X 8-32 UNC - 2B  $\nabla$  .25  
(M4X0.7 FOR METRIC)

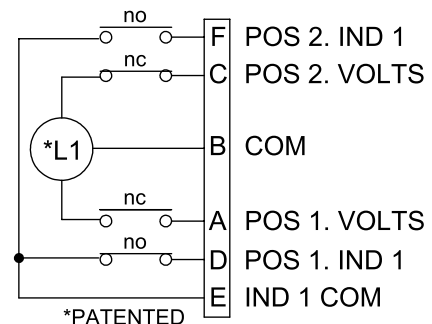


## Platinum Replacement Waveguide Switch WR75 - Series Brand "S"

Sealed and Weatherized Switches have a Cover over the Manual Override and adds to the overall height



Frequency:	10.0 to 15.0 GHz
VSWR:	1.08:1 Max.
Insertion Loss:	.05 dB Max.
Isolation:	75 dB Min.
Switching Time:	50 mS TYP
Pressure:	30 PSIG (RF Head)
Weight:	1.1 lbs.
Finish:	Black
Flange Faces:	Iridite



STD. ELECTRICAL CKT.  
Shown in Position 1  
ONE FORM C