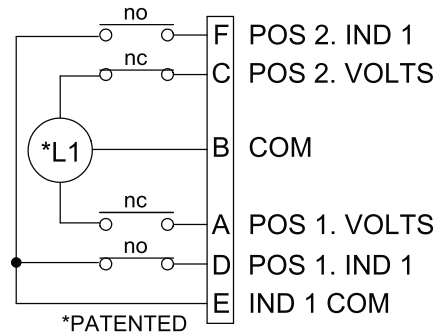
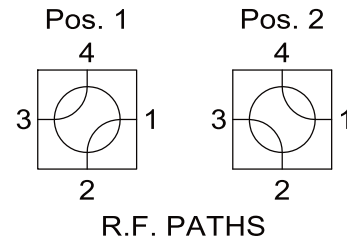


Platinum Replacement Waveguide Switch WR229 - Series Brand "S"



Frequency:	3.30 to 4.90 GHz
VSWR:	1.05:1 Max.
Insertion Loss:	0.02 dB Max.
Isolation:	80 dB Min.
Current @ 28 Vdc:	2 Amps
Switching Time:	100 mS Max.
Weight:	4.5 lbs.
Finish:	Black Iridite
Flanges:	Black Iridite

STD. ELECTRICAL CKT.
Shown in Position 1
ONE FORM C