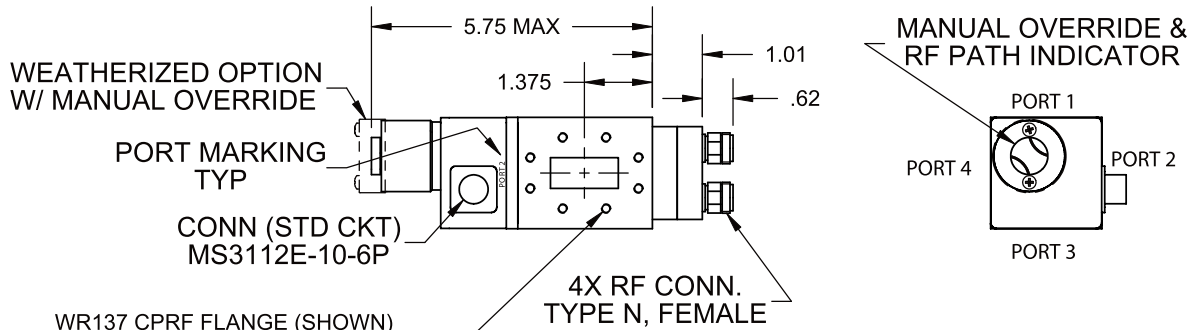




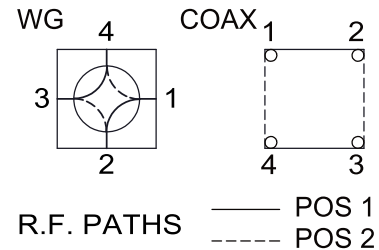
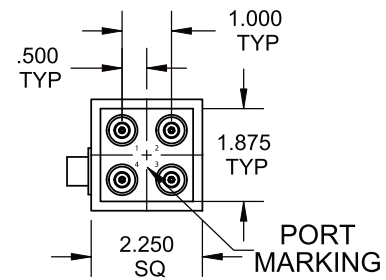
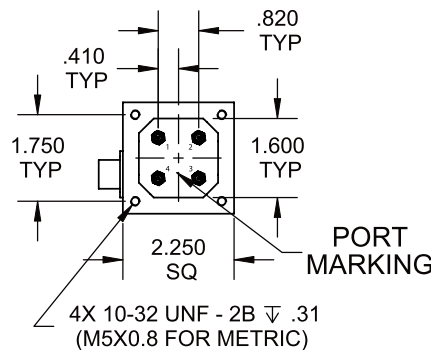
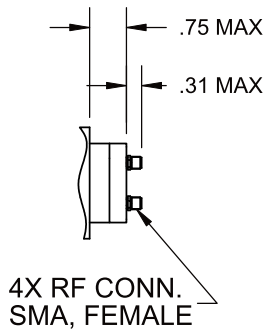
Logus Satellite Communications Division

1305 Hill Ave., West Palm Beach, FL 33407 USA | tel: 561-842-3550 | fax: 561-842-2196 | www.LogusSat.com



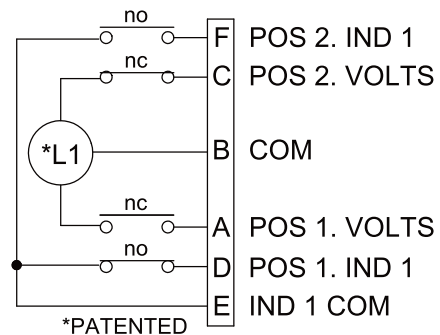
WR137 CPRF FLANGE (SHOWN)
8X 10-32 UNF - 2B ∇ .25 TYP
(M5X0.8 FOR METRIC)
WR137 CMR FLANGE
8X 6-32 UNC-2B ∇ .25 TYP
(M4X0.7 FOR METRIC)

Platinum Replacement Dual WR137 - Series Brand "S"



Specifications	W/G	COAX
Frequency:	5.8 to 6.5 GHz	
VSWR:	1.05:1 Max.	1.30:1 Max.
Insertion Loss:	0.02 dB Max.	0.3 dB Max.
Isolation:	60 dB Min.	60 dB Min.
Power:	15 KWA	100 W Max.*
Switching Time:	60 mS Max.	
Pressure:	30 PSIG (RF Head)	
Drive:	Logus Latching	
Life:	200,000 Cycles Min.	
Finish:	Black Enamel	
Flanges:	Iridite	

* 50 W Max. for SMA Connector



STD. ELECTRICAL CKT.
Shown in Position 1
ONE FORM C