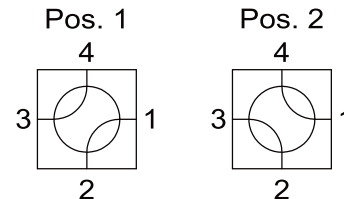
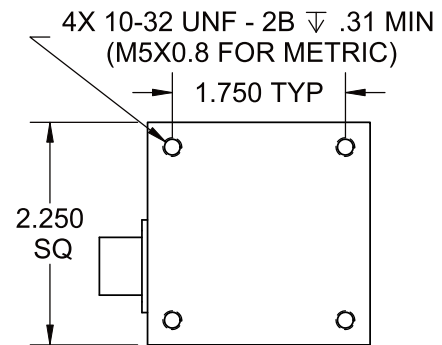
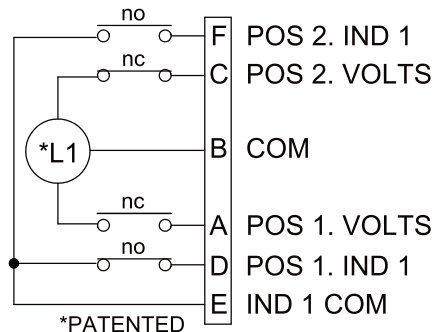


## Platinum Replacement Waveguide Switch WR137 - Series Brand "S"

Sealed and Weatherized Switches have a Cover over the Manual Override and adds to the overall height



R.F. PATHS



STD. ELECTRICAL CKT. Shown in Position 1 ONE FORM C

Frequency:	5.85 to 8.20 GHz
VSWR:	1.05:1 Max.
Insertion Loss:	.02 dB Max.
Isolation:	60 dB Min.
Switching Time:	60 mS Max.
Pressure:	30 PSIG (RF Head)
Weight:	1.5 lbs.
Finish:	Black
Flanges:	Iridite