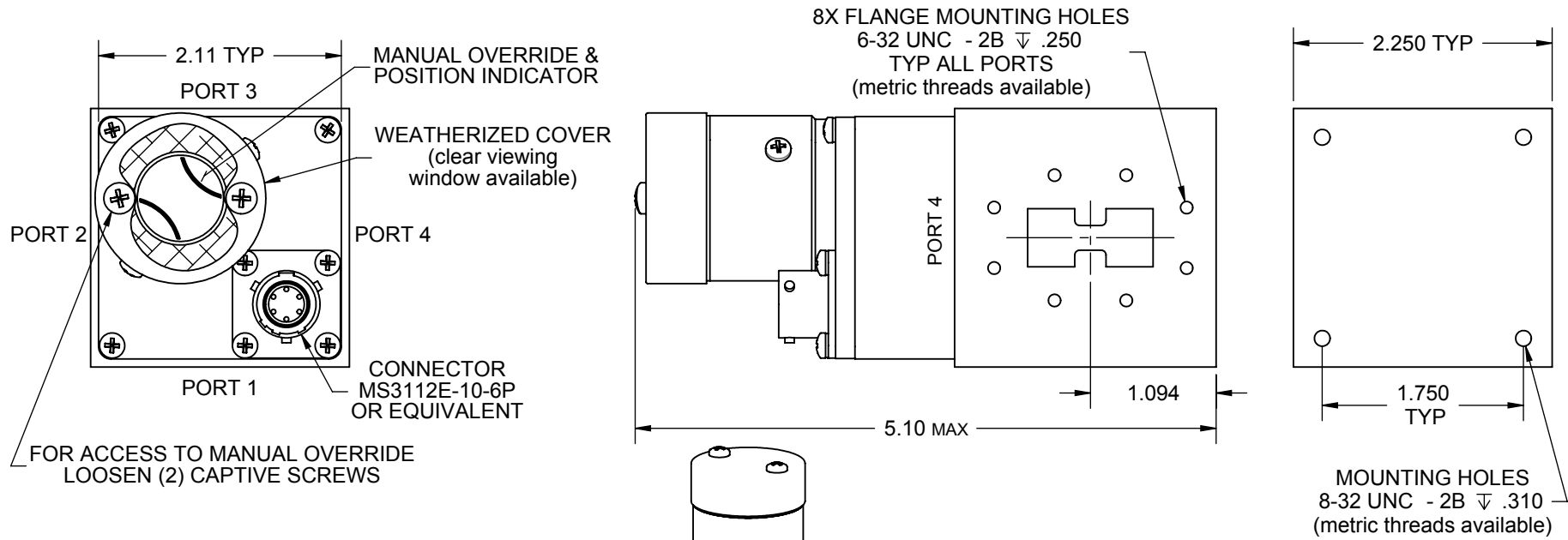




## Waveguide Switch - WRD475 Series

Rev A



Frequency: 4.75 to 11.0 GHz  
 VSWR: 1.2:1 Max.  
 Insertion Loss: 0.35 dB Max.  
 Isolation: 60 dB Min.

Flange: See Flange Table  
 Voltage: See Voltage Table  
 Switching Time: 125 mS Max.

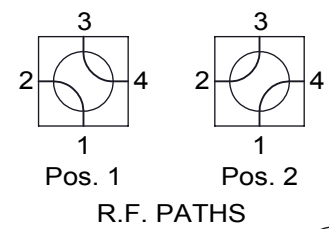
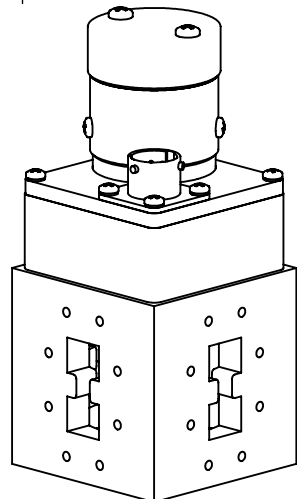
Material: Aluminum (RF Assy)  
 Finish: Iridite per MIL-C-5541  
 Paint Dull Black Enamel

Pressure: 30 PSIG (RF Head Only)  
 Drive: Patented Logus I Motor

Temp: Operating: -40°C to +85°C  
 Non-Operating: -55°C to +100°C

Humidity: 0 to 100%, Fully Weatherized

RoHS Available



DRIVE OPTIONS
LATCHING
PULSE LATCHING
FAILSAFE
TTL

VOLTAGE OPTIONS
12 VDC
15 VDC
24 VDC
28 VDC
48 VDC
115 VAC
230 VAC

FLANGE OPTIONS
COVER
GROOVE

